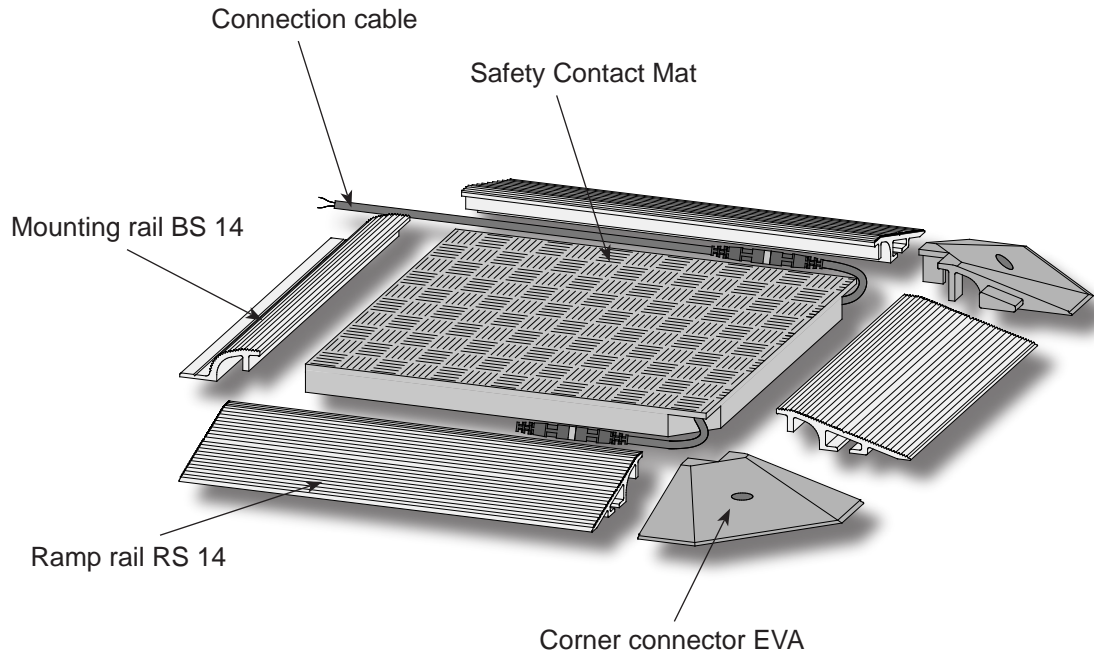




Baumuster
geprüft

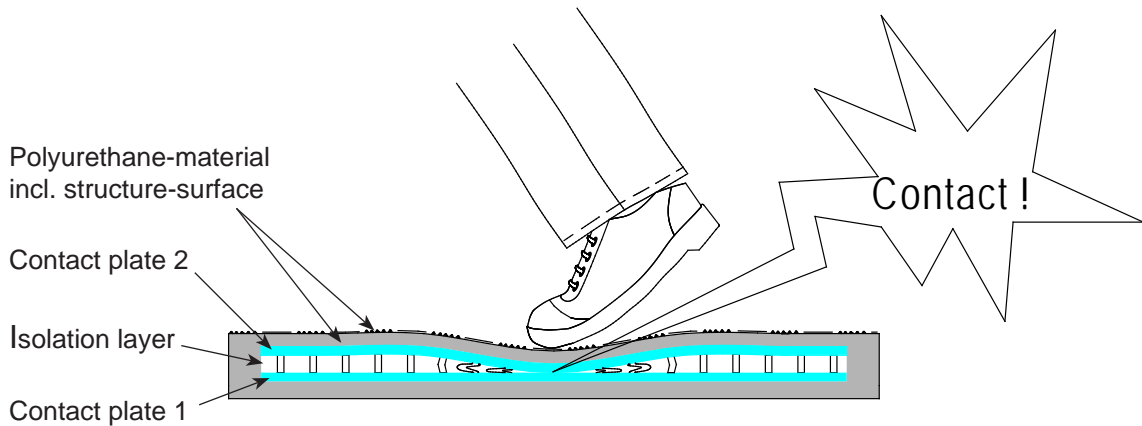


**Also available as type KMS:
Safety contact mat with circuit-closing function !**

The safety contact mat ASK is used for safeguarding sections in hazardous areas around machines, presses, robots and other types of active equipment. **Stepping on the mat surface triggers a control signal to the stop circuit of the potentially hazardous motion.** This fast contact occurs due to the area switch design on the inside of the mat. A single compound polyurethane material assures impermeability against oils, water and dirt. An anti-slip surface is also implemented into the design. Optional checkered surfaces in aluminum or high-grade steel can be used in areas where high mechanical demand is placed on the upper mat surface. Safety evaluation controls the switching function of the ASO safety contact mats.



The principle of the safety-contact-mat

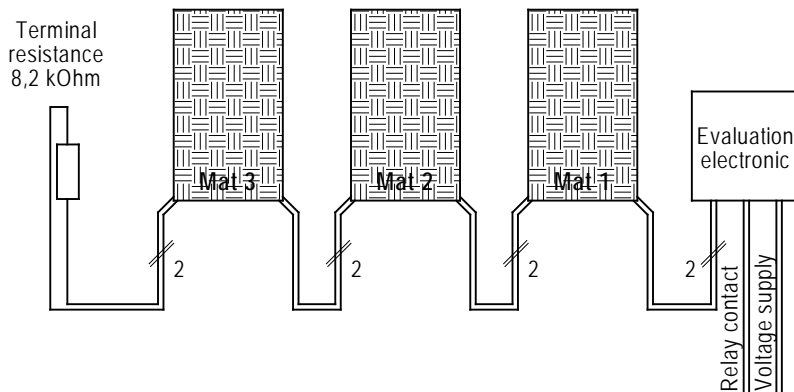


The structure

The basic construction of the ASO Safety Contact Mat consist of two conductive plates which are separated by a proprietary isolating layer. These plates are completely potted in a polyurethane material so that they are impervious to oil, water and dirt. The top consists of a slip resistant checkered pattern. This surface provides excellent resistance against oil and grease. Two cable exits are provided. These cables consist of one M8 male plug and one M8 female plug in standard construction (Optional Cable Exits are available upon request).

Please pay attention to:

- Up to 10 contact mats wired in series may be connected to one evaluation control unit. The maximum total area can not exceed 10 m²!
- The total cable length can not exceed 25m.
- The 8.2 kΩ terminal resistance must be connected to the last mat in series when several mats are connected !
- Please inquire separately for mats with recesses or special shapes.



Signal processing

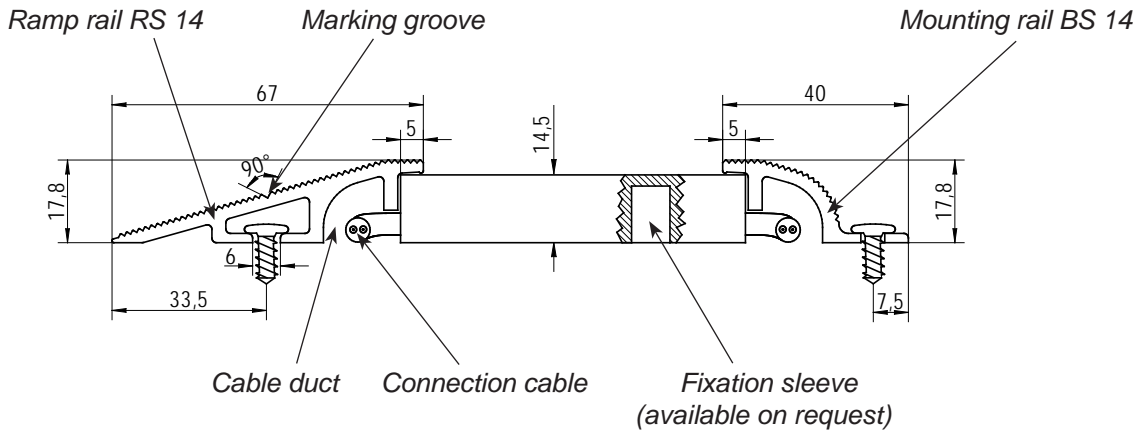
several mats in series up to a maximum total area of 10 m². One end of the cable is connected to the safety evaluation control electronics and the terminal resistance is connected to the other end (prepared at the factory). The Safety Evaluation control electronics provides monitoring for the entire circuit including the cabling route and the mats, by monitoring the terminal resistance. The two surfaces of the mat make contact when stepped on and the resistance is bridged. This immediately causes a signal within the electronics that is then given as a potential free output for the contact-mat by the relay. The entire switching circuit is monitored at the same time for damage to cable or manipulation.

Ramp Rail RS 14

The ramp rail RS 14 provides secure mounting capability for the safety contact mat. The angled design reduces tripping and slipping when mounted to the mat. The integrated channel can be used for clean and safe installation of the connecting cable.

Mounting Rail BS 14

The mounting rail BS 14 can be used to attach the safety contact mat in less accessible areas (for example at machines, shut-off positions, walls, etc.). Also the integrated channel can be used for clean and safe installation of the connecting cable.



Fixation sleeve

Additional protection for the mat surface can be provided from the factory or for do-it-yourself mounting. All coverings can be replaced. Special covers or colors on request.

Covers

Additional protection for the mat surface can be provided from the factory or for do-it-yourself mounting. All coverings can be replaced. Special covers or colors on request.

- RF2 - Rubber checkered cover, oil resistant
- ARB - Aluminum checkered sheet
- TBV - Stainless steel plate
- RF - Checkered cover with one compound mat

Type code information

ASK - 1P2 - RF1

Designation

ASO - Safety Contact mat

Number of switching zones within one mat

Base plate type

- P - PVC, grey
- A - Aluminum
- V - Stainless steel
- U - One compound mat

Cable version

- 0 - 1x connection cable 2-wire
- 1 - 1x connection cable with integrated terminal resistance
- 2 - 2x connection cable 2-wire
- 3 - 2x connection cable with resistance shrunk on cable
- 4.0 - 1x M8 male plug/1x M8 female plug
- 4.2 - like 4.0 with M8 connect. cable 2,5m
- 4.3 - like 4.0 with 5m cable M8 fem. plug and M8 resistor male plug
- 4.4 - like 4.0 with 5m cable M8 male plug and 5m cable M8 female plug
- 5.0 - 1x integrated resistor and 1x M8 male plug / 5m cable with M8 female plug

Cover quality

- RF 2 - Oil resistant
- ARB - Aluminum
- TBV - Stainless steel
- RF - Checkered cover with one compound mat
- NP - Euro dot surface with one compound mat
- SA - Sandy surface with one compound mat

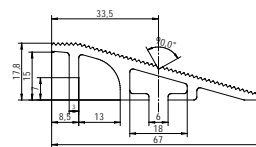
Special covers or colors on request

HYW \ b]WU`gdYW]UWUh]cbg`Zcf`gUZYhm`WcbhUWh` a Uhg

Max. Dimension:	2350 mm x 1350 mm
Standard dimensions:	1000 mm x 750 mm
available from stock	1000 mm x 1000 mm 1000 mm x 1500 mm
Construction height:	14 mm with covering
Weight:	approx. 15 kg/m ² (without covering)
Inactive border:	max. 10 mm on all sides
Switching pressure:	Round body ∅80 mm = ca. 150 N
Static load:	max. 2000 N over ∅80 mm *
Response time:	max. 25 ms * * Tested according to EN 1760-1
Switching cycles:	min. 1,5 Mio. (B _{10d} : 2.000.000)*
Electrical Capacity:	24 V 100 mA
Material:	Polyurethane black
Protection class:	IP 65
Temperature range:	0 °C to + 60 °C
Chem. resistance:	Oil, greases - good 10 % acid - resistant 10 % lye - resistant
Maintenance:	The mat is maintenance free. Functional testing on an annual basis is recommended
Connection cable:	Standard: Pluggable, 2 x 0,34 PU-cover black with M8 male/female plug, 120mm

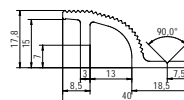
HYW \ b]WU`gdYW]UWUh]cb`FU a d`fU]`FG`% (

Material:	Aluminum AIMgSi 0,5
Standard delivery lengths:	2 m / 6m
Weights:	approx. 788 g/lfm



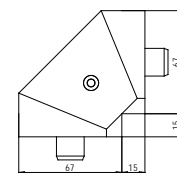
HYW \ b]WU`gdYW]UWUh]cb`Ac i bh]b [`fU]`6G`% (

Material:	Aluminum AIMgSi 0,5
Standard delivery lengths:	2 m / 6m
Weights:	approx. 408 g/lfm



HYW \ b]WU`gdYW]UWUh]cb`Wc fbYf`WcbbYW hcf`9 J5

Material:	PA 6 black
------------------	------------



HYW \ b]WU`gdYW]UWUh]cb`Wc jYf

Type:	F : &	5F6'''	H6J'	F : #G5#BD
Material	Synth. rubber NBR	Aluminun AIMg 3	Stainless steel	
Tape	Checked cover	Checked cover	Tear cover	
Color	black			black
Material thickness	max. 4,5 mm	max. 4,5 mm	max. 4,5 mm	
Delivery widths	1,4 m	max. 1,5 m	max. 1,5 m	
Delivery lengths	up to 10 m coiled approx. 3,8 kg/m ²	max. 3,0 m approx. 7,0 kg/m ²	max. 3,0 m approx. 11,6 kg/m ²	
Chem. resistance				
Oil	good	good#	very good	good
Gasoline	good	good	very good	resistant
Solvent	• ~ -, &â^ } cÁ	* [[áÁ	ç^! ~ Á* [[áÁ	• ~ -, &â^ } c
Acid diluted	good	good	very good	resistant
Leach diluted	good	good	very good	resistant

Assembly Information

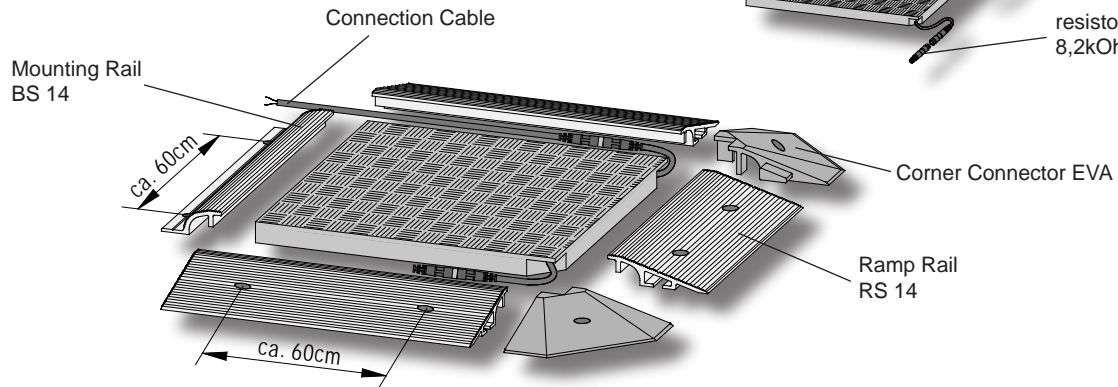
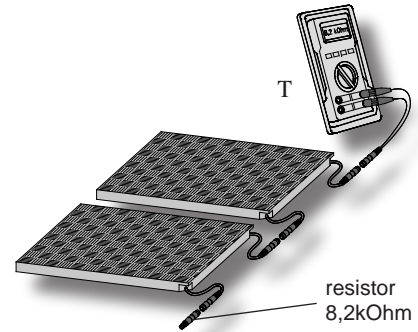
- ! The mounting surface must be absolutely even, clean and dry.
- Mats may not be glued on the bottom.

Lay out and position the mat correctly with the base plate downwards. Mats may not be broken or bent. Safety-Contact-Mats may not be changed in any way. Cut outs or shortening is not possible.



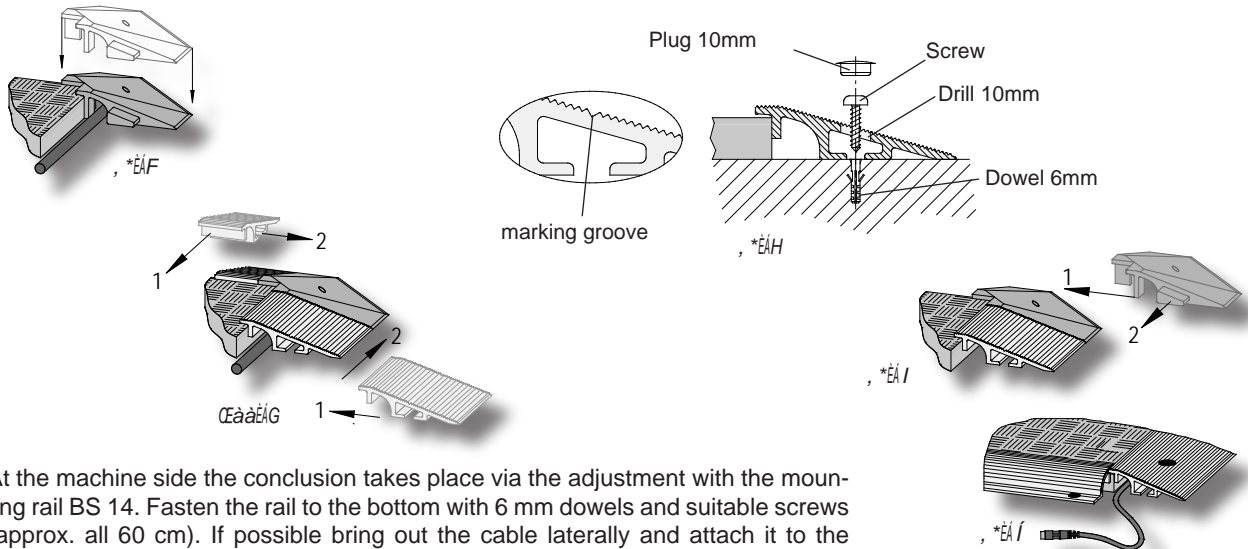
The mats shall be joined end-to-end when laying several mats together. Then connect up the mats electrically and check the electrical resistance. With un-actuated mat, the resistance value must amount to $8,2 \text{ k}\Omega \pm 500 \text{ T}$.

During cable laying inside the ramp- and/or in the mounting rail pay attention that the cable is not pinched.



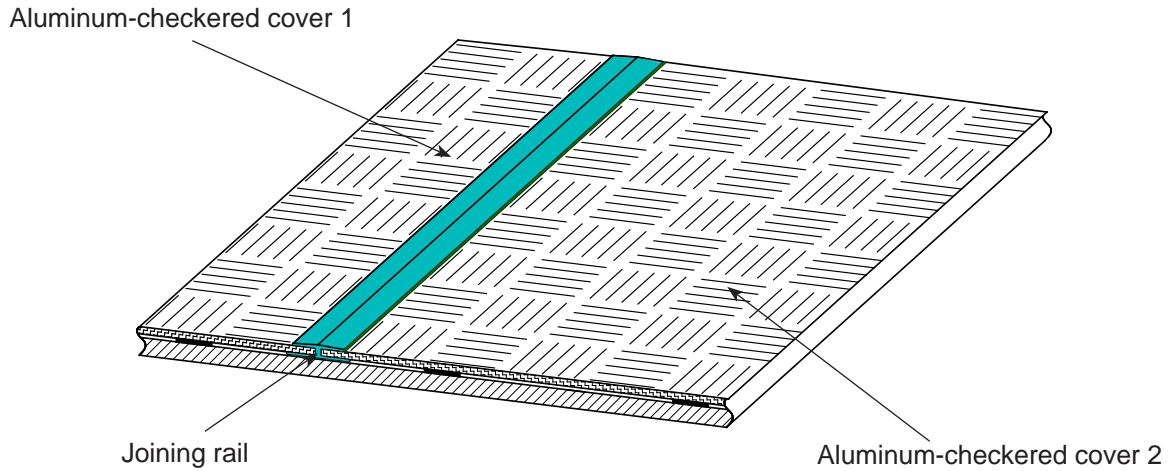
Assembly

When using corner connectors the ramp rail must be shortened around 20mm for each corner connector. The corner connector nearest the cable is to be mounted from above over the cable in such a way that the cable is guided safely in the cable duct ζ , *EAFD. Afterwards drill and fasten it to the bottom with 6 mm dowel and suitable screw. $\cup^{\sim} \bullet @ \text{Ac} @ \wedge \text{A} \text{t} \text{æ} \{ \} \text{A} \text{t} \text{æ} \} \bullet \text{A} \text{t} \text{æ} \wedge \text{t} \text{æ} \} \sim \text{Ac} [\text{Ac} @ \wedge \text{A} \{ \text{æ} \text{ch} \text{æ} \} \text{ä} \text{Ac} @ \wedge \} \text{A} [\} \text{Ac} @ \wedge \text{A}, \text{æ} \text{æ} \text{c} [\} \text{E} \} \text{ä} \} \text{A} [\text{-Ac} @ \wedge \text{A} \& [\} \wedge \text{t} \text{æ} \& [\} \wedge \text{c} [\text{t} \text{A} \zeta, \text{*E} \text{A} \text{GD}$. Mark the fastening points along the marking groove on the rail and pre-drill 10 mm for the intended plugs. Fasten the rails on the bottom with 6 mm dowels and suitable screws (approx. all 60 cm) and close the openings with the plugs ζ , *EÄHD. $\cup^{\sim} \bullet @ \text{Ac} @ \wedge \text{A} \& [\} \wedge \text{t} \text{æ} \& [\} \wedge \text{c} [\text{t} \text{A} \zeta \{ \} \bullet \text{A} \text{t} \text{æ} \wedge \text{t} \text{æ} \} \sim \text{Ac} [\text{Ac} @ \wedge \text{A} \{ \text{æ} \text{ch} \text{æ} \} \text{ä} \text{Ac} @ \wedge \} \text{Ac} @ \wedge \text{A}, \text{æ} \text{æ} \text{c} [\} \text{E} \} \text{ä} \} \text{A} \} \text{c} [\text{Ac} @ \wedge \text{A} \text{t} \text{æ} \} \text{A} \zeta, \text{*E} \text{A} \text{I} \text{D}$. Afterwards drill and fasten it to the bottom with 6 mm dowel and suitable screw.



At the machine side the conclusion takes place via the adjustment with the mounting rail BS 14. Fasten the rail to the bottom with 6 mm dowels and suitable screws (approx. all 60 cm). If possible bring out the cable laterally and attach it to the controller ζ , *EÄFD.

Special notes on mounting for laying the metallic checkered covering made of either aluminum or stainless steel



It shall be noted for versions with metallic checkered coverings in aluminum (ARB) or stainless steel (TBV) that the coverings are connected together using a joining rail.

Please note for overmeasure

The area to be safeguarded are made up by the dimension of the safety contact mat. The dimensions of 62 mm (for the ramp rail) and 35 mm (for the mounting-rail) must be added to this. The sum gives the total area to be safeguarded. The maximum size that can be manufactured is 2350 mm x 1350 mm. Sizes greater than this can be realized by sequencing single mats.

