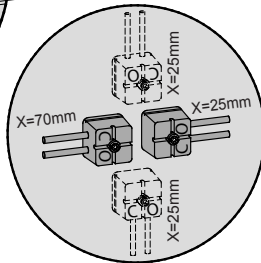
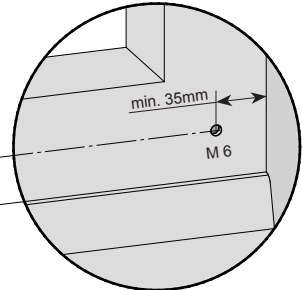


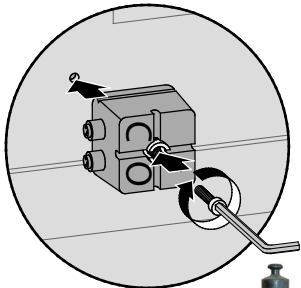
1.1



1.1 *X*

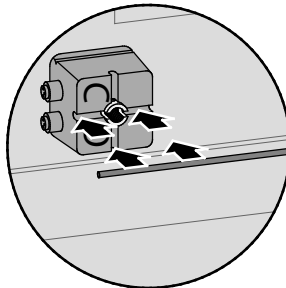


3.1

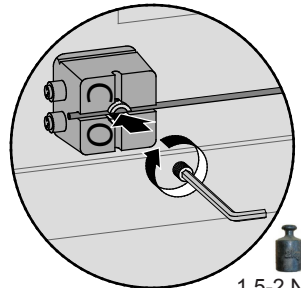


1.2

1,5-2 Nm

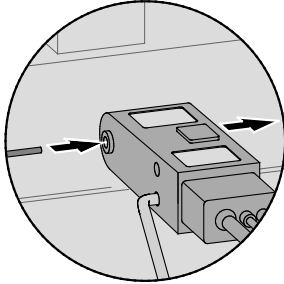


1.3

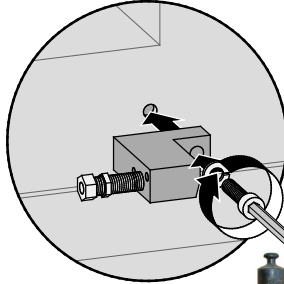


1.4

1,5-2 Nm

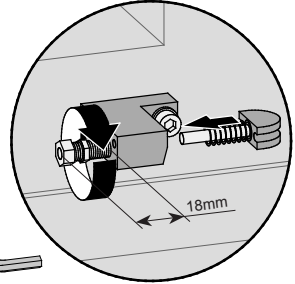


2.1

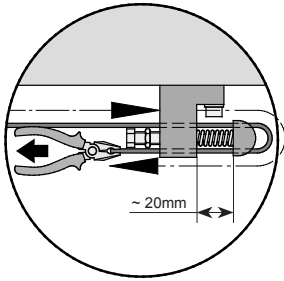


3.2

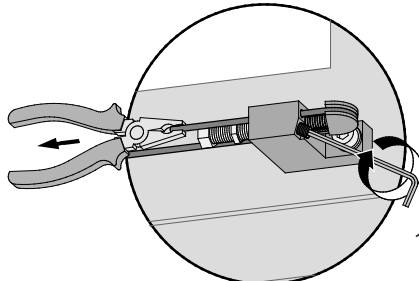
1,5-2 Nm



3.3

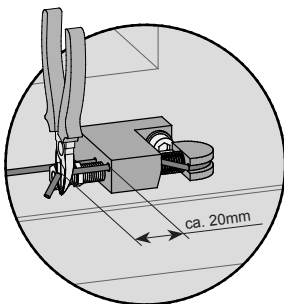


3.4

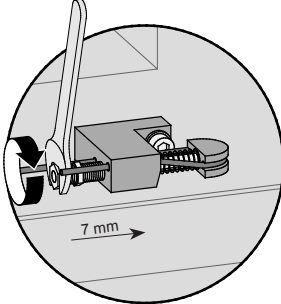


3.5

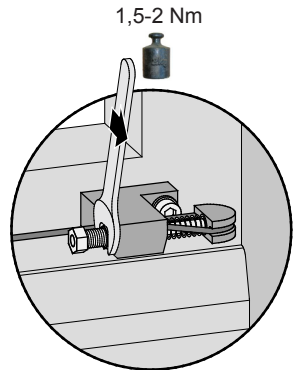
1,5 Nm



3.6

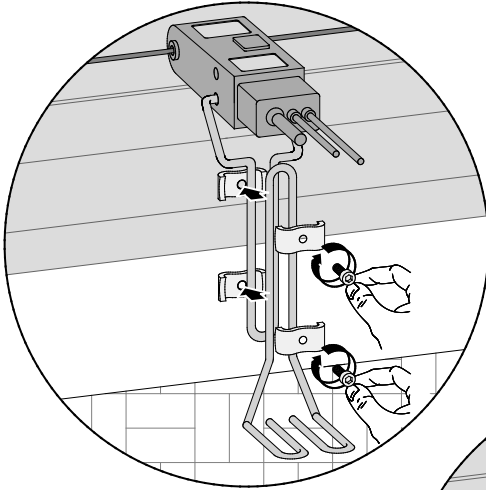


3.7

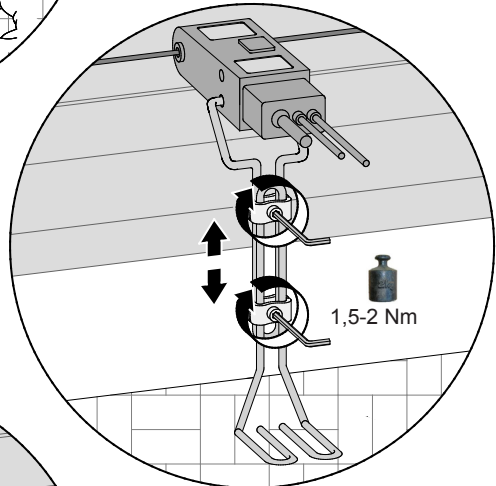


3.8

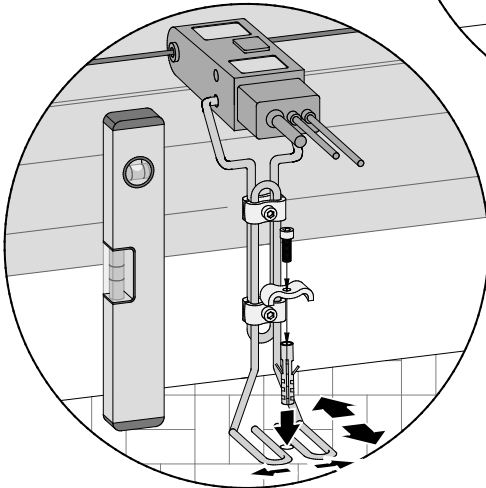
1,5-2 Nm



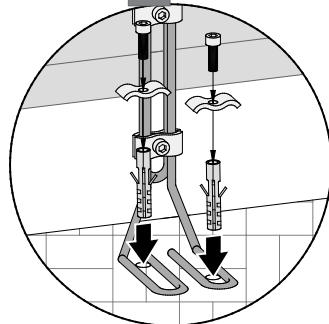
2.2



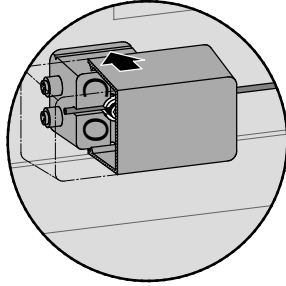
2.3



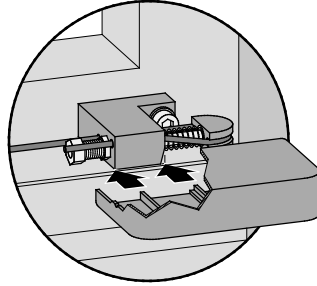
2.4



(2.4)

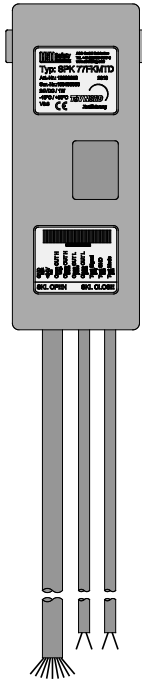


1.5

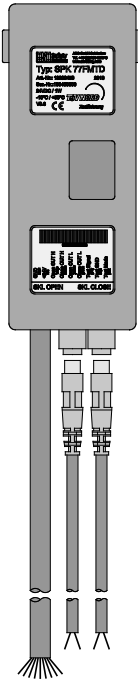


3.9

SPK 77 F KM TD



SPK 77 F M TD



SPK 77 F S TD

